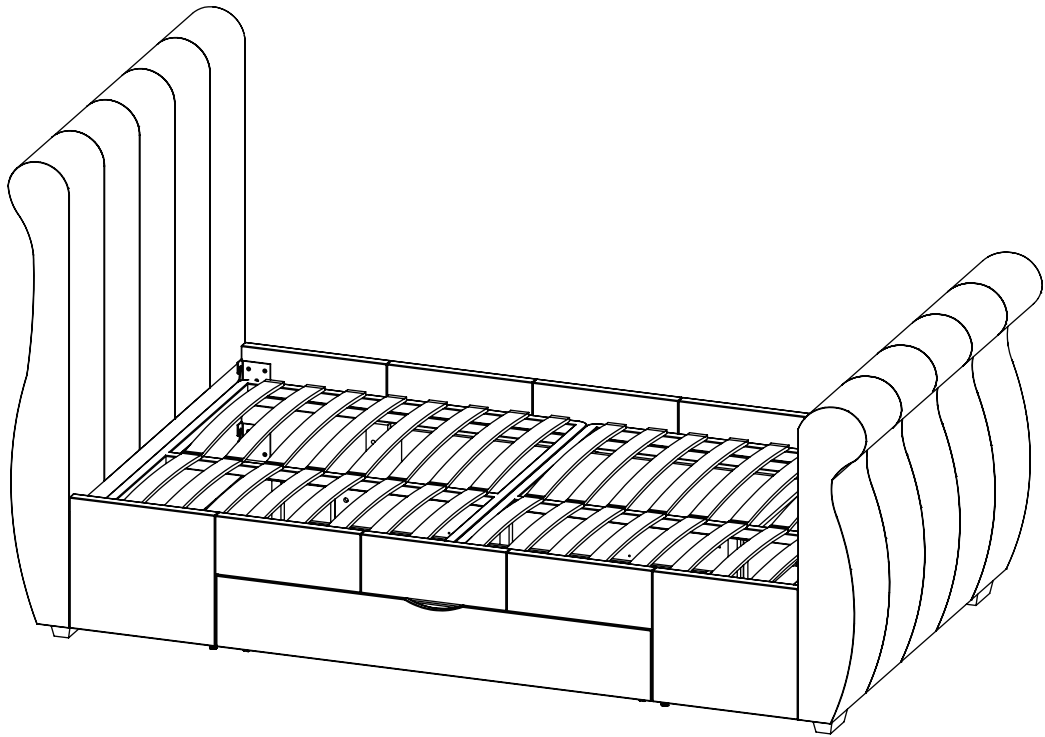


# Shamley Storage Bed

Double  
King  
Super King



1 hour approx  
assembly time



Two person  
assembly

feather  
& black

# Thank you

Hello, thanks for choosing to purchase your bed from Feather & Black - you're now on your way to your best ever night's sleep. Before you begin building your bed, please take a moment to read through the instructions and make sure that you've got all the relevant parts listed on the following pages.



## Assembly tips

Before you begin, it's best to identify all parts and fittings to build your bed. We advise laying these out on the floor to check you have everything, and familiarising yourself before building.



## Top tip

We recommend that you build your new bed in the room you'd like it to be located - this will help prevent any risk of damage to your newly built bed whilst moving it.



## Safety and care

It's really important to ensure children and animals are kept away from the assembly area, as there are small components used in this bed which could present a choking hazard. All plastic and wrapping materials should also be kept away from children and animals to prevent any risk of suffocation.



## Help and support

At Feather & Black, it's our mission to give the whole nation a great night's sleep - this means that the quality of our products is of utmost importance to us. If there are any issues with your product or any missing parts, please contact our Help Centre on 01243 380 600 where a member of our team will be happy to help.



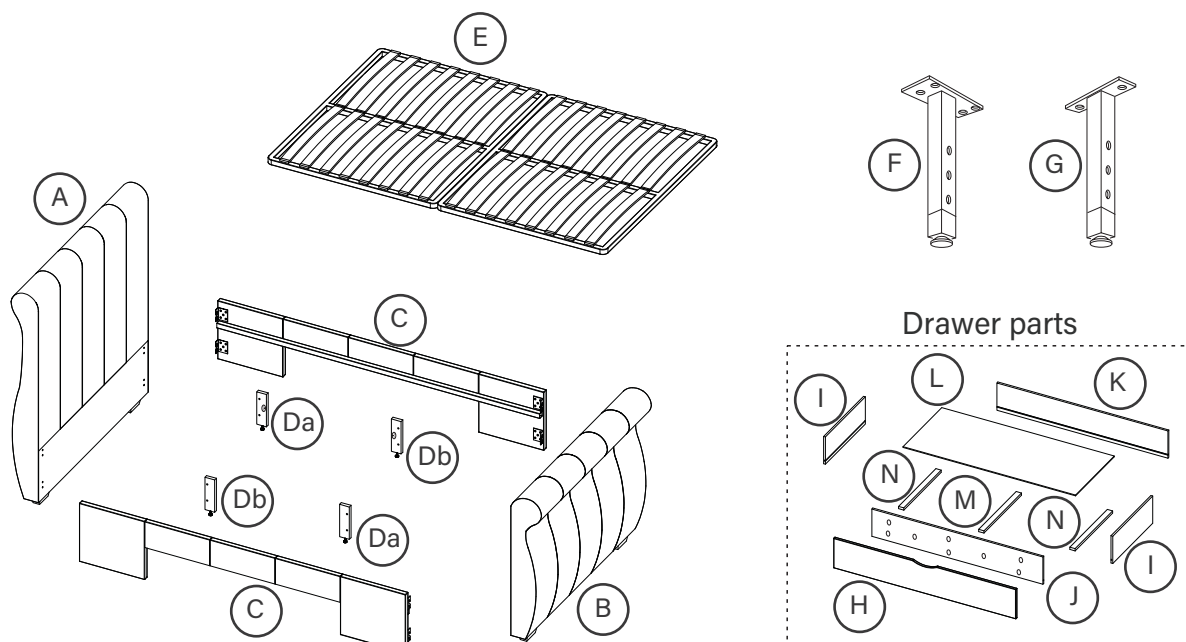
## Recycling

Please ensure that packaging is disposed of in a safe and environmentally friendly way, and recycle where possible. Our assembly instructions are printed on recycled paper. Please keep your assembly instructions safe to refer back to in the future.

# Parts

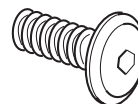
## Important information.

The bed you have purchased comes with sprung slats, please follow the instructions below in the current order. The metal frame & slats (E), the support legs (F&G) and support leg bolts (p) are packed in the sprung slat frame carton that is supplied as a separate pack.



## Parts list

A.	Headboard	1	H.	Drawer Face Panels	2
B.	Footboard	1	I.	Drawer Side Panels	4
C.	Side rails	2	J.	Drawer Front Panels	2
Da&Db.	Adjustable Side Rail Support Leg	2Pr	K.	Drawer Back Panels	2
E.	Sprung Slat Frame	1	L.	Drawer Base Panels	2
F.	Sprung Slat Frame Centre Support Leg	1	M.	Drawer Base Support Rails - Centre	4
G.	Sprung Slat Frame Outer Support Legs	2	N.	Drawer Base Support Rails - End	2
			p	Bolts (M6x15mm) for the sprung slat frame support legs (F&G).	8



# Tools required

Please check you have all these below



Tape measure

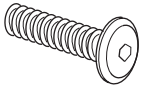



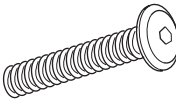


Cross head screwdriver


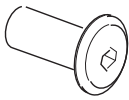

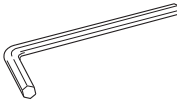

# Fittings

Please check you have all the parts listed below with your product:

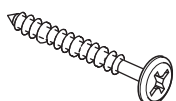
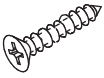
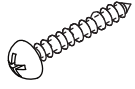

## Hardware included for bed assembly (pack A)

<p>a x16</p>  <p>Bolts (M8x30mm) for fitting side rails (C) to headboard &amp; footboard (A&amp;B)</p>	<p>b x16</p>  <p>Spring Washers for M8 Bolts</p>	<p>c x24</p>  <p>Flat Washers for M8 Bolts</p>	<p>d x1</p>  <p>Allen Key for M8 Bolts</p>	<p>m x8</p>  <p>Bolts (M8x45mm) for fitting adjustable support legs (D) to side rails (C)</p>
---	---	---	--	--


## Hardware included for fitting sprung slat frame (pack B)

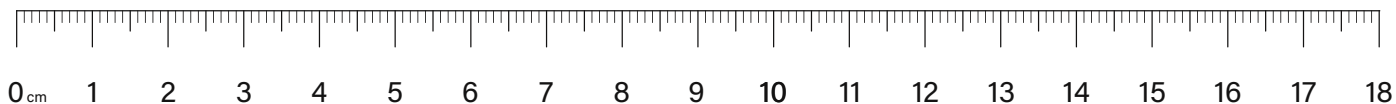
<p>e x4</p>  <p>Bolts (M6x40mm) for fitting the sprung slat frame (E) to side rails (C)</p>	<p>f x4</p>  <p>Sleeve Nuts for M6 Bolts</p>	<p>g x4</p>  <p>Flat Washers for M6 bolt</p>	<p>h x1</p>  <p>Allen Key for M6 bolt</p>	<p>v x4</p>  <p>Spring Washers for M6 Bolts</p>
--	---	---	--	--

## Hardware included for drawer assembly (pack C)

<p>j x28</p>  <p>Screws (3.5x50mm) for assembling drawer panels</p>	<p>k x40</p>  <p>Screws (3.5x16mm) for fitting wheels (n) to wooden drawer support rails (O&amp;P)</p>	<p>l x16</p>  <p>Screws (4x30mm) for fitting drawer face panels (J)</p>	<p>s x28</p>  <p>Plastic Barrel Nuts for assembling drawer panels</p>
--	---	--	--

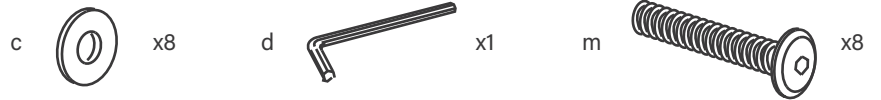
## Hardware included for drawer wheel (pack D)

<p>n x10</p>  <p>Drawer Wheels</p>
---

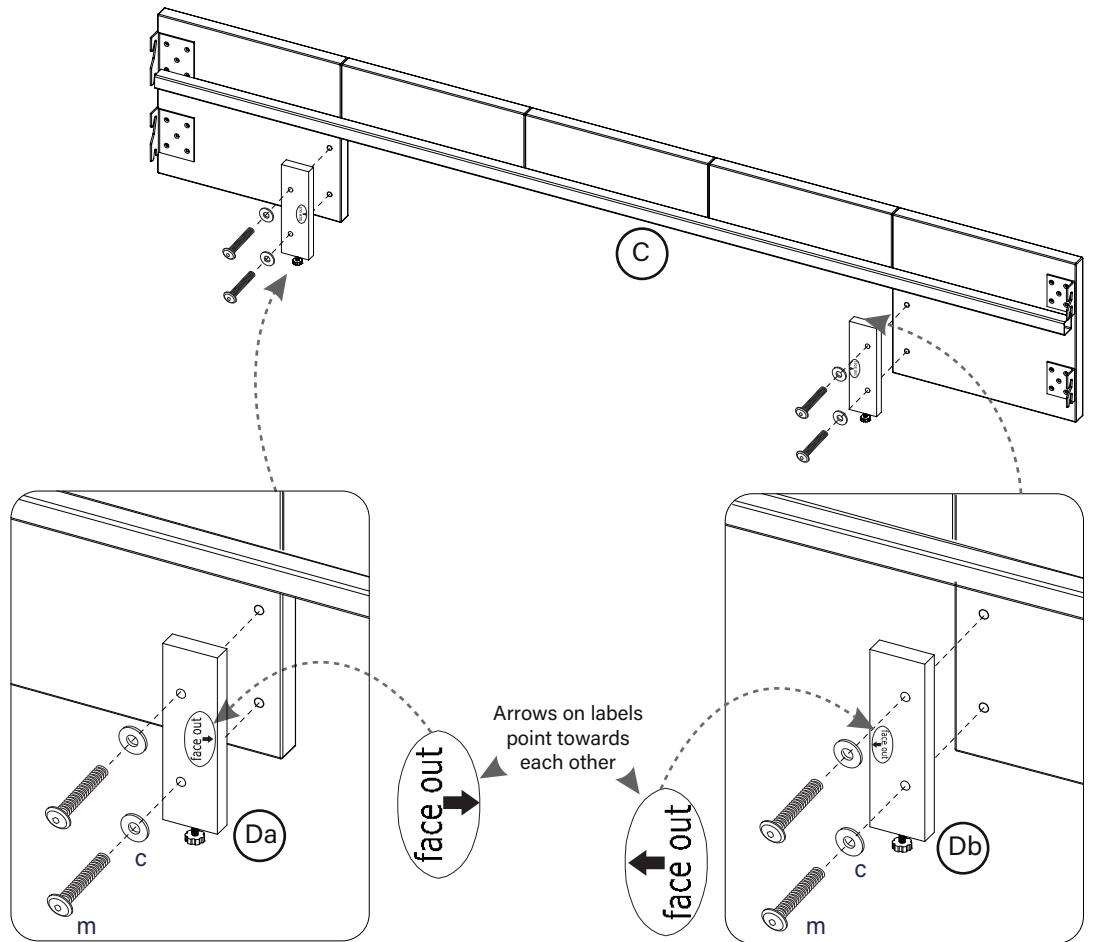


# Bed assembly - use pack 'A'

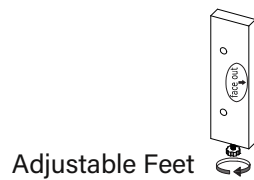
1



Fix support legs (D) from inside bed frame into the pre-threaded holes in both side rails (C). Make certain the labels are as shown in the diagrams - arrows must point towards each other. The legs are then in the correct place to stop the drawer going under the bed.



Carefully adjust feet so they just touch the floor keeping side rails level when bed is in use.

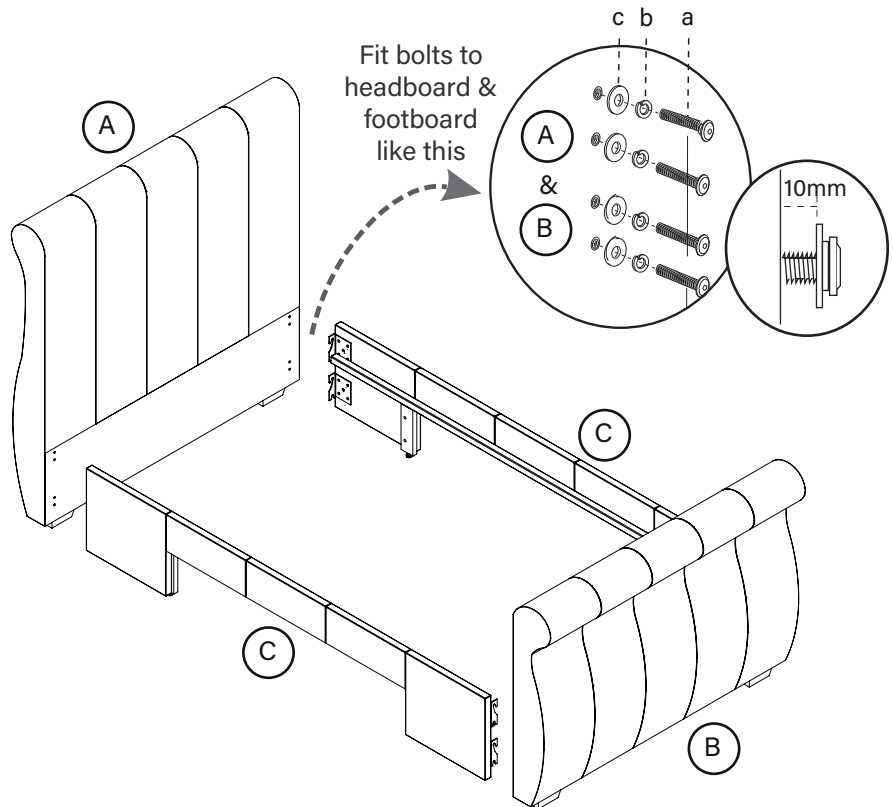


2

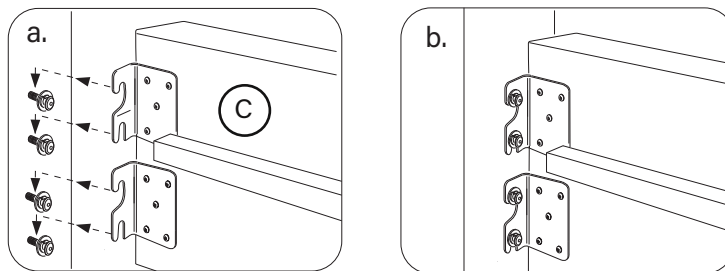


Loosely insert four bolts (a) with spring washers (b) & flat washers (c) into each side of headboard & footboard (A&B).

Note: Do not tighten fully but leave 10mm protruding as in the diagram

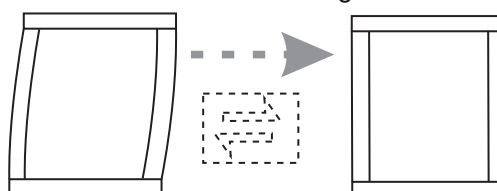


Fit the side rails locating the brackets behind the flat washers.



Make certain the bed is squared up, as shown in the diagram.

Once all four corners are located, make sure the bed is still square, then tighten all the bolts 100% using Allen key (d).

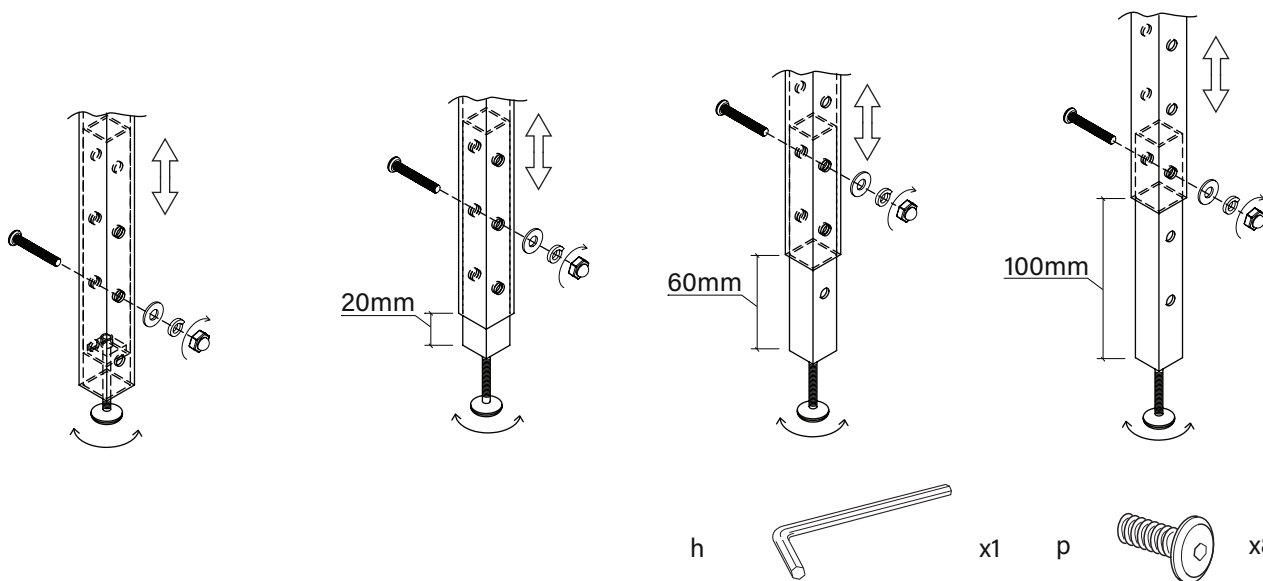


# Fitting sprung slat frame use pack 'B'

3

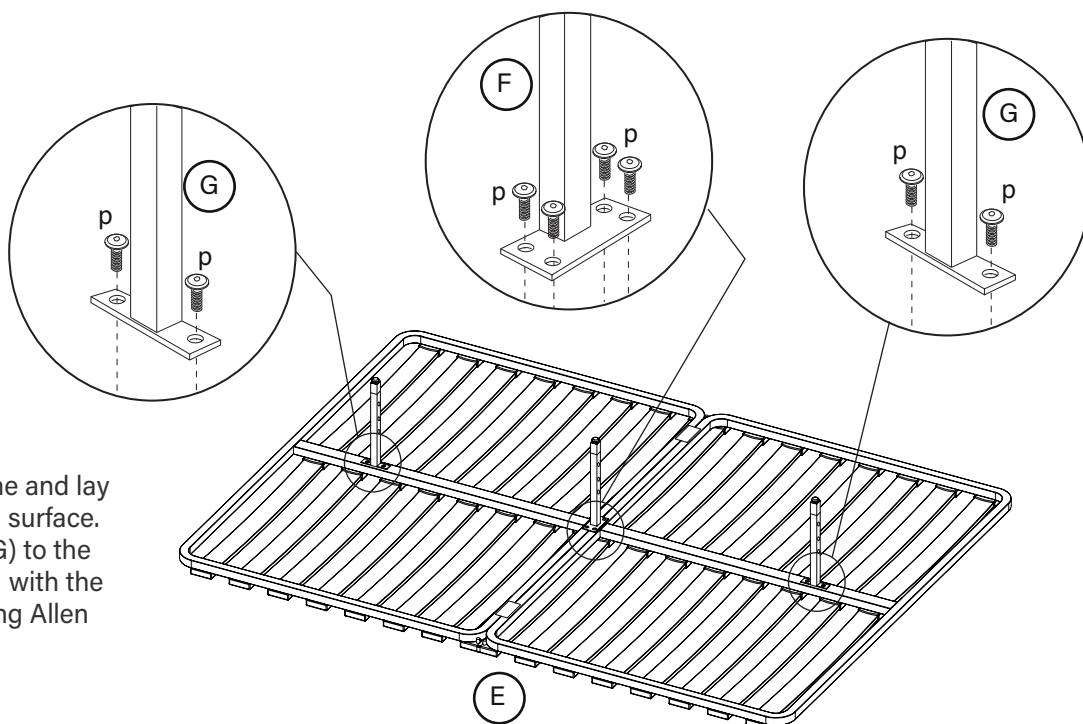
1. The support legs each have four adjustable parts that need to be set to suit the height of the bed slat frame. Please adjust the height of each leg by selecting the correct hole and inserting the bolts and nuts as shown.
2. You can fine-tune the height of each leg by screwing the adjustable foot in or out so it just touches the floor.

i.

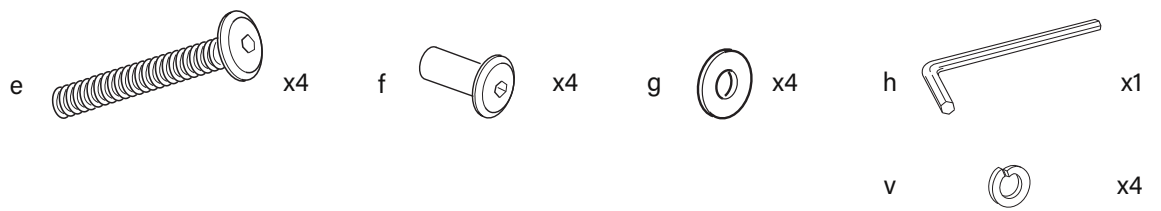


ii.

Open the sprung slat frame and lay face down on the working surface. Fit the support legs (F & G) to the positions shown, securing with the bolts (p). Fully tighten using Allen key (h).

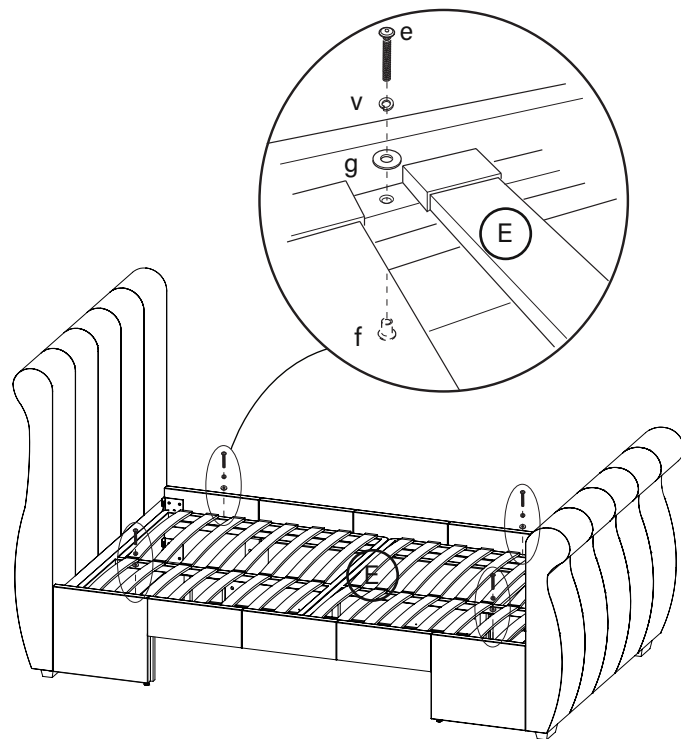


4

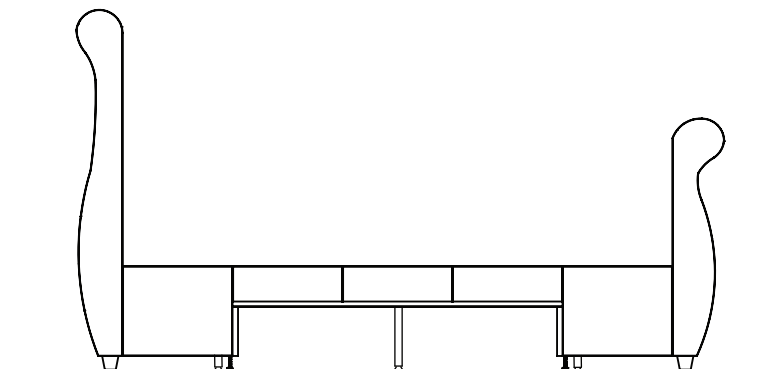


iii.

Carefully turn the slat frame over and place in position on the metal slat frame supports on each side panel. Align the frame with the fixing holes at each end and secure using four sets of bolts (e), spring washers (v), flat washers (g) and sleeve-nuts (f). When all in place tighten using Allen key (h).



Finally, please check carefully that all bolts are fully tightened before the bed is used.

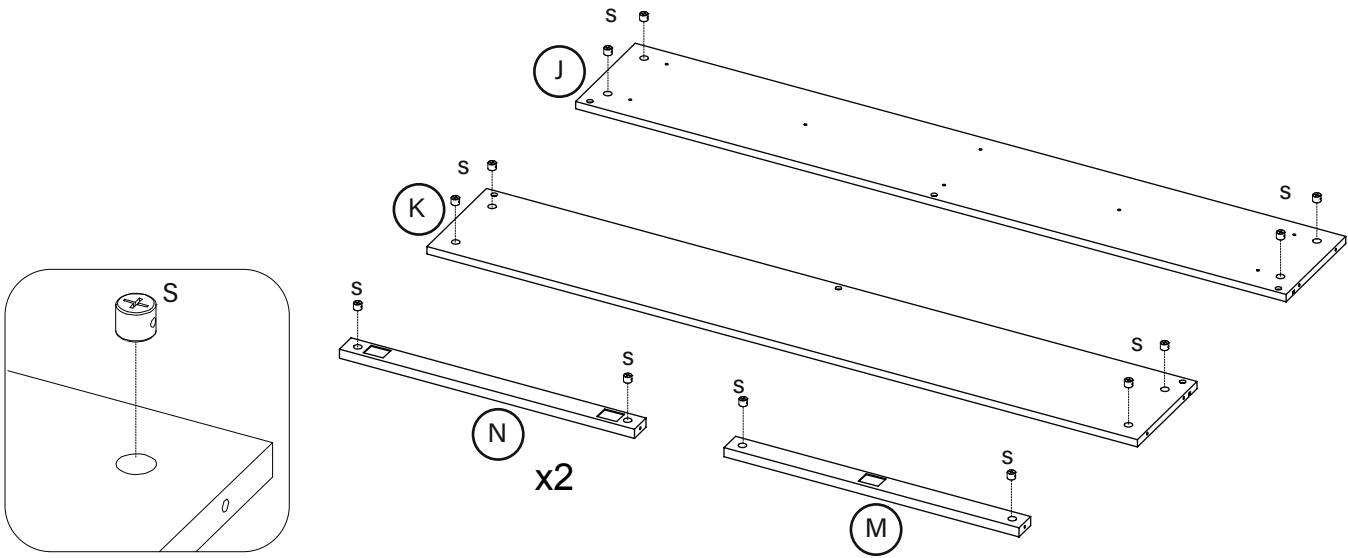




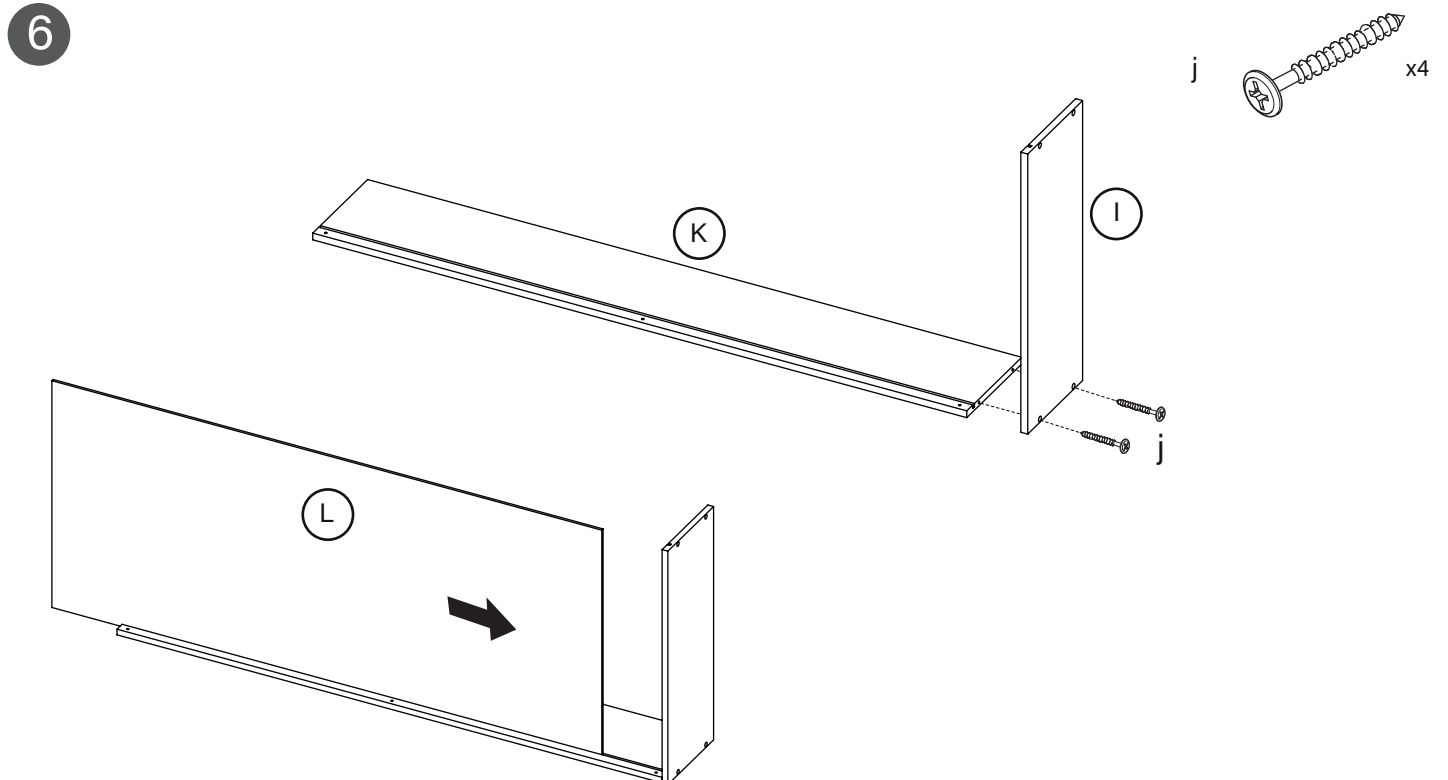
# Drawer assembly - use pack 'C'

## 5 x2 Drawers to assemble

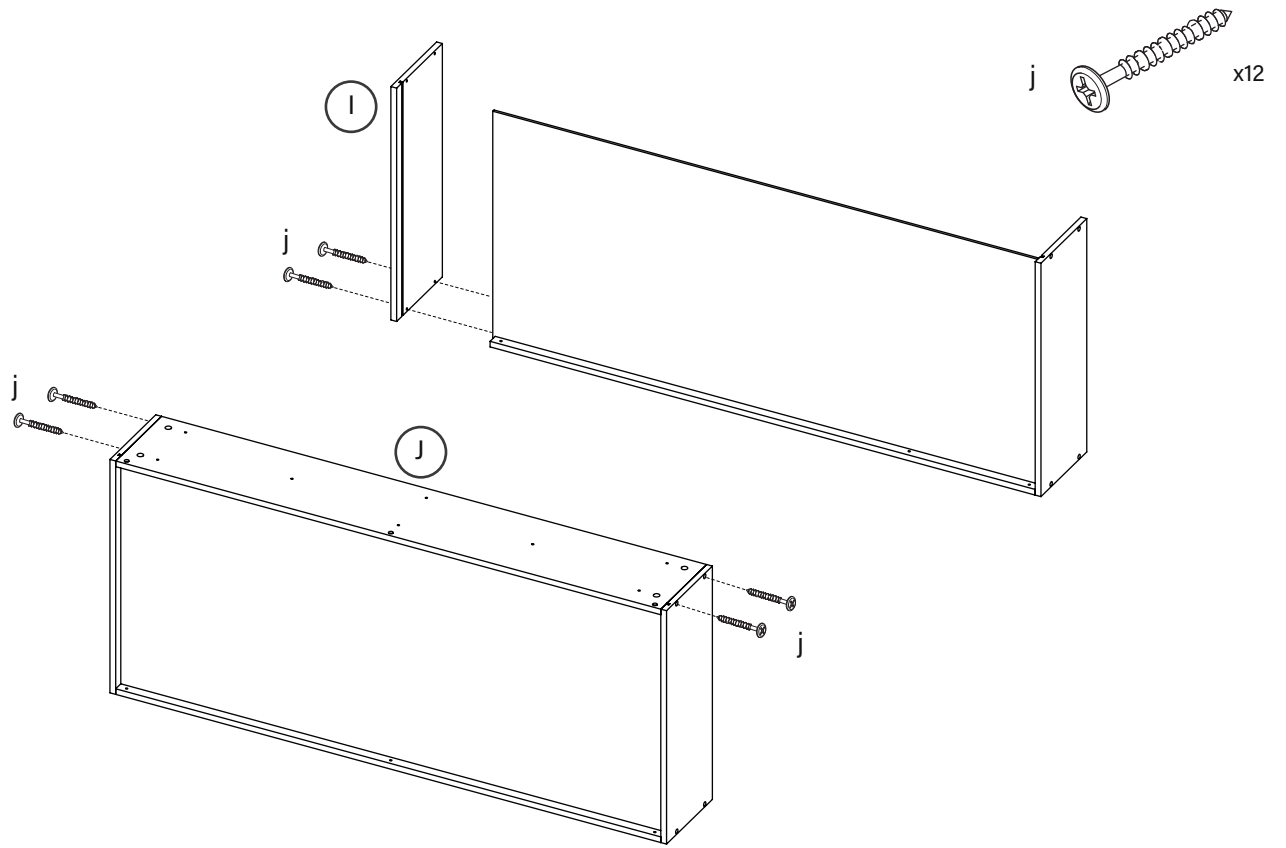
s  x28



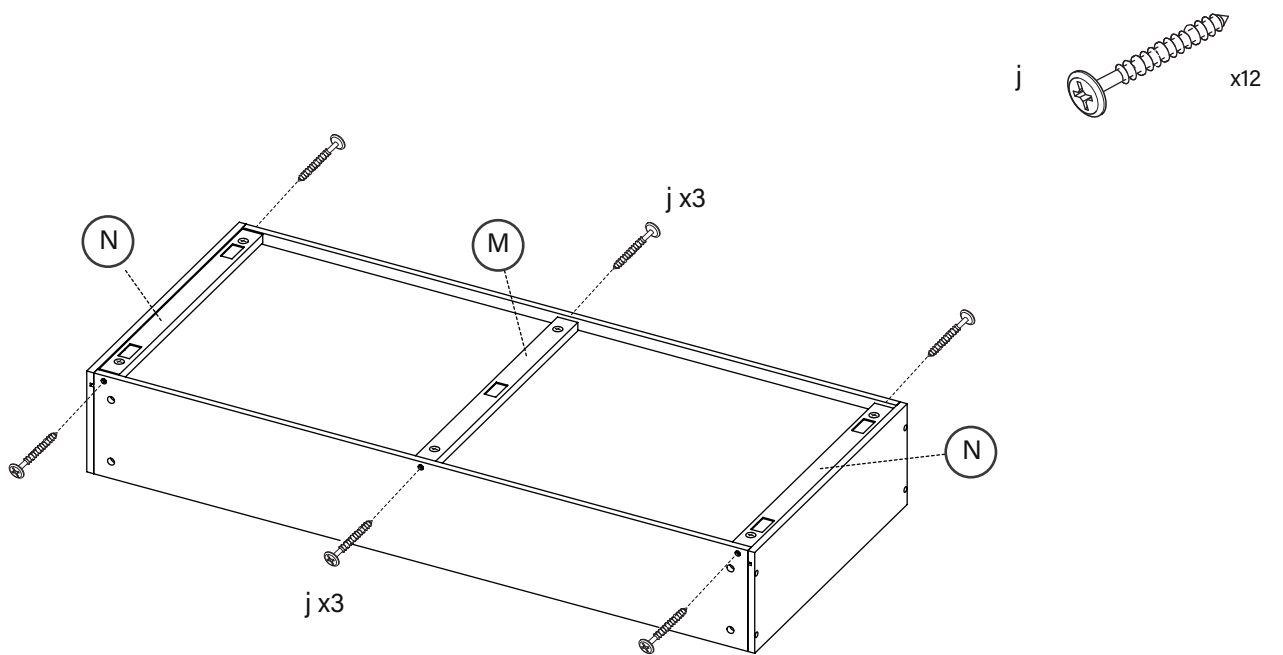
**IMPORTANT:** Align the holes between the barrel nut (s) and the panel edge, this will allow screw (j) to fix correctly.



7

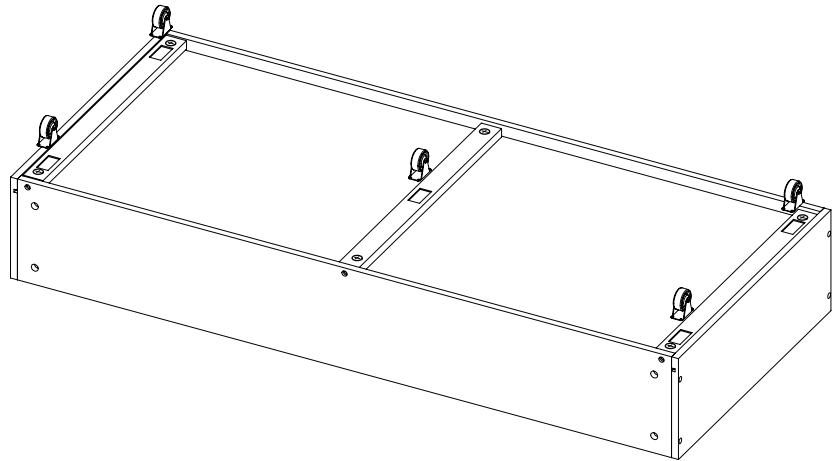
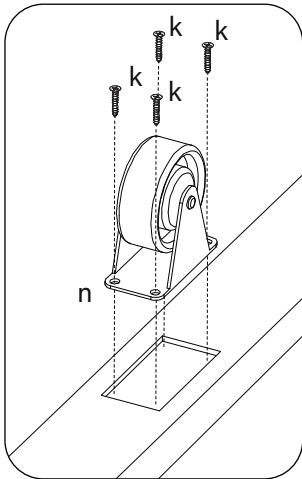
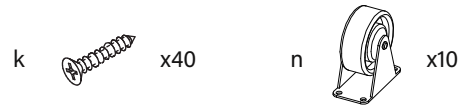


8

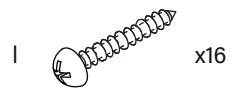


# Drawer assembly - use pack 'C&D'

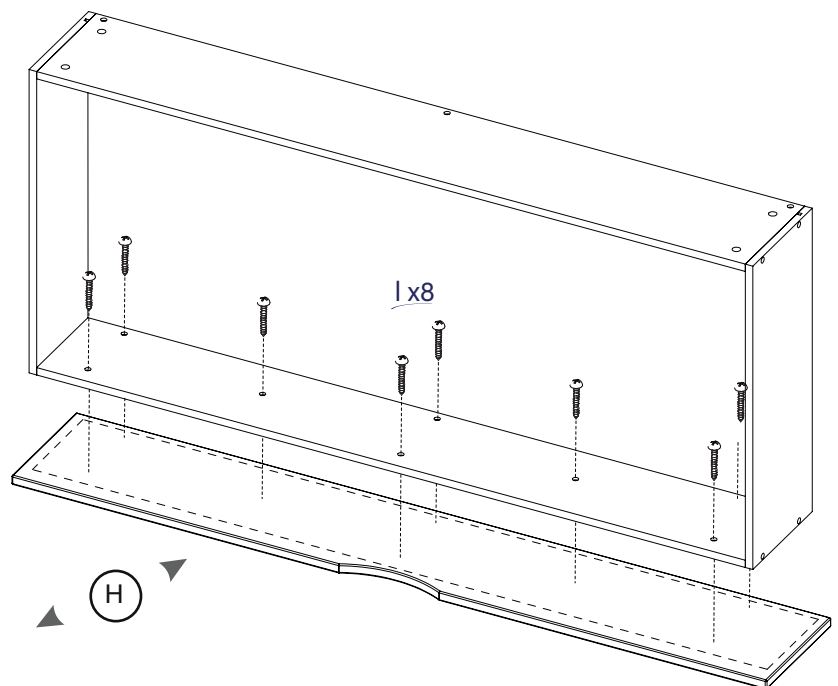
9 x2 Drawers to assemble



10

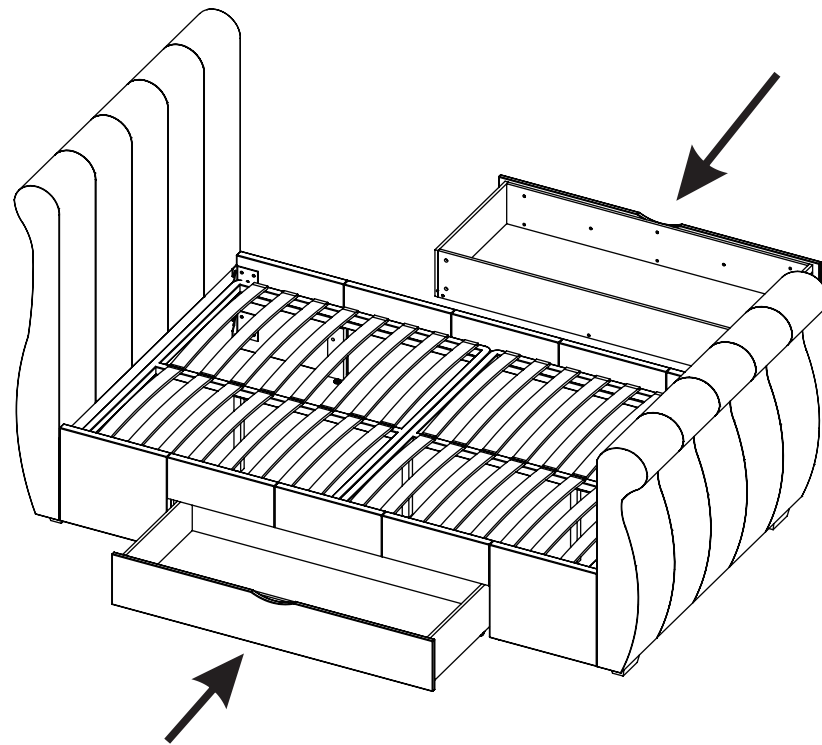


Fit the assembled drawer to rear of Drawer Face Panel (H). Carefully follow the guide lines marked on the rear of the panel.



# Slide in the drawers

11



## Overall Dimensions (LWH cm)

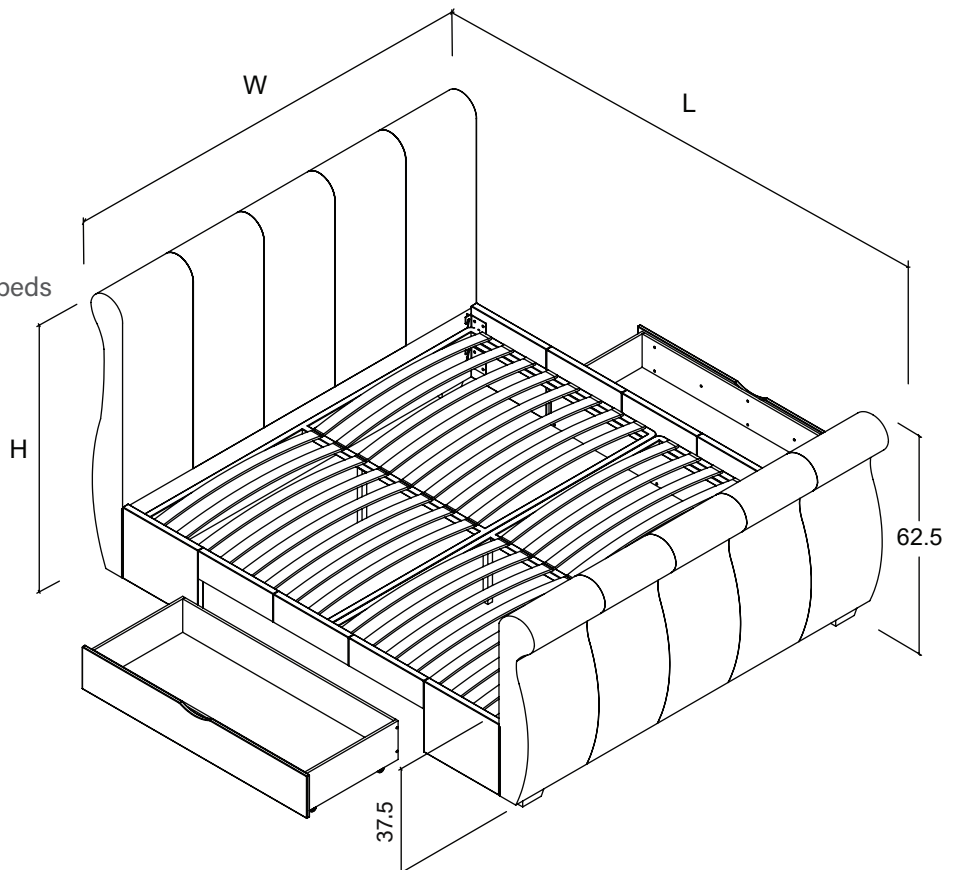
Double:	222 x 145 x 106
King:	230 x 160 x 106
Super King:	230 x 190 x 106

## Internal Dimensions (LW cm)

Double:	193 x 137.5
King:	201 x 152.5
Super King:	201 x 182.5

## Storage Drawer Dimensions, all Size of beds

120.5 x 62 x 20 (WDH cm)



# Care and maintenance

Here are some tips to keep your new bed in tip-top condition



## Cleaning

To clean your new bed, we'd advise using a warm damp cloth or if fabric, remove dust using a low suction vacuum cleaner - please do not use abrasive chemicals or bleach as this may damage the product.



## Checking and moving

Periodically we recommend you check that the screws or fixtures haven't become loose, over time. To move your new bed, we recommend lifting it where possible, as dragging or pushing it could cause damage to your flooring.



## Wood

Please note each of our wooden pieces are unique, meaning that markings and shade can vary slightly between beds. Over a period of time, the wood might lighten or fade slightly due to light exposure.



## Fabric

Please note depending on the lighting, positioning and surroundings of your room, the shade of the colour can sometimes appear slightly different. Over a period of time the colour might lighten or fade slightly due to light exposure.



## Metal

Metal tends to be more resilient to everyday wear and tear. We recommend to gently dust your metal furniture and keep it dry to maintain its look.

Thank you for shopping with us - we hope you have a great night's sleep

*Sleep well*

feather  
& black